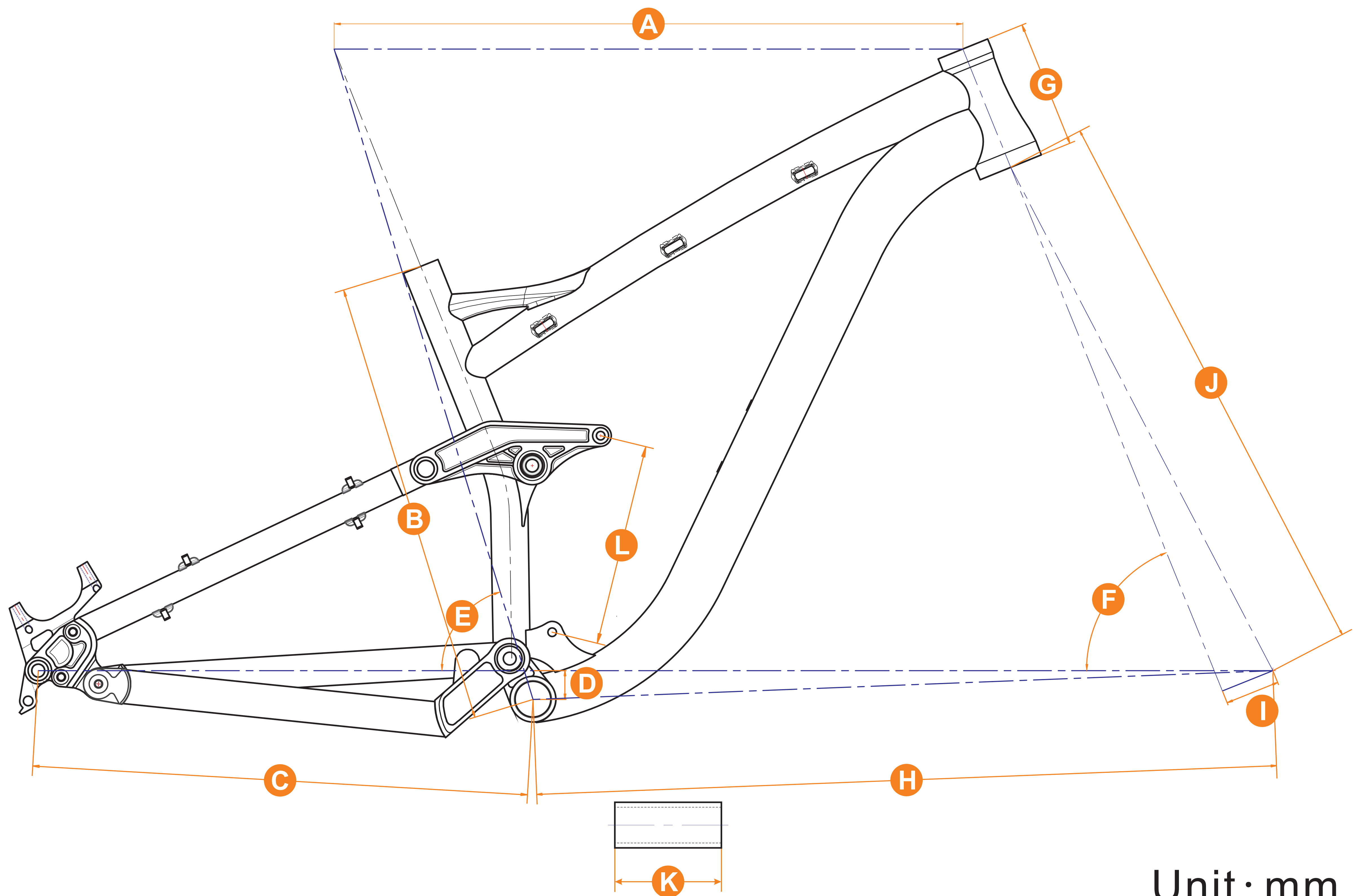


# SANDMAN "INDUS FS" Frame Geometry



Unit: mm

PART	SIZE	M	L			
<b>A</b>	Top Tube Length ( Horizontal )	590	625			
<b>B</b>	Seat Tube Length ( C to T )	420	460			
<b>C</b>	Chain Stay Length	465	465			
<b>D</b>	BB. Drop	27	27			
<b>E</b>	Seat Tube Angle	73°	73°			
<b>F</b>	Head Tube Angle	68°	68°			
<b>G</b>	Head Tube Length	120	120			
<b>H</b>	Front Center Distance	695	710			
<b>I</b>	Fork Offset	51	51			
<b>J</b>	Fork AC Length	525	525			
<b>K</b>	BB Shell Size	100(BSA)	100(BSA)			
<b>L</b>	Eye to Eye Length	190	190			